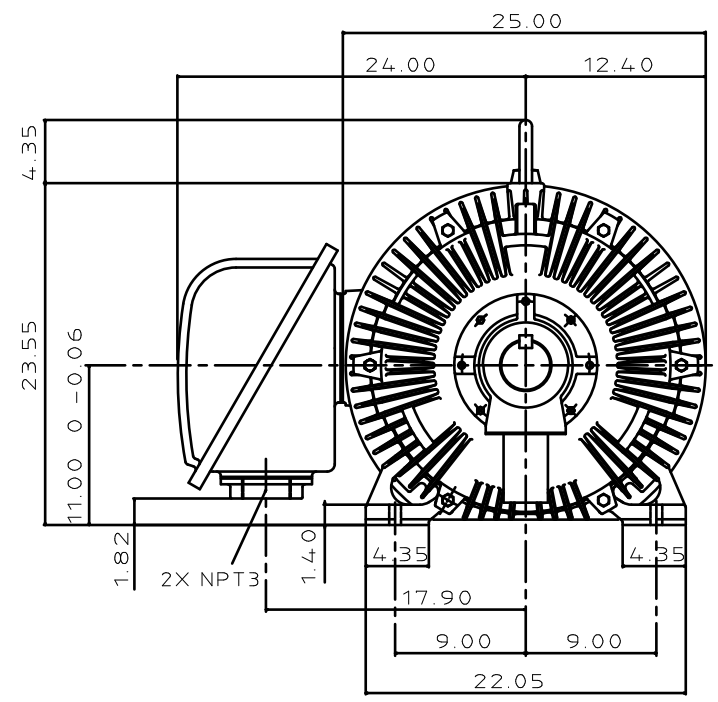
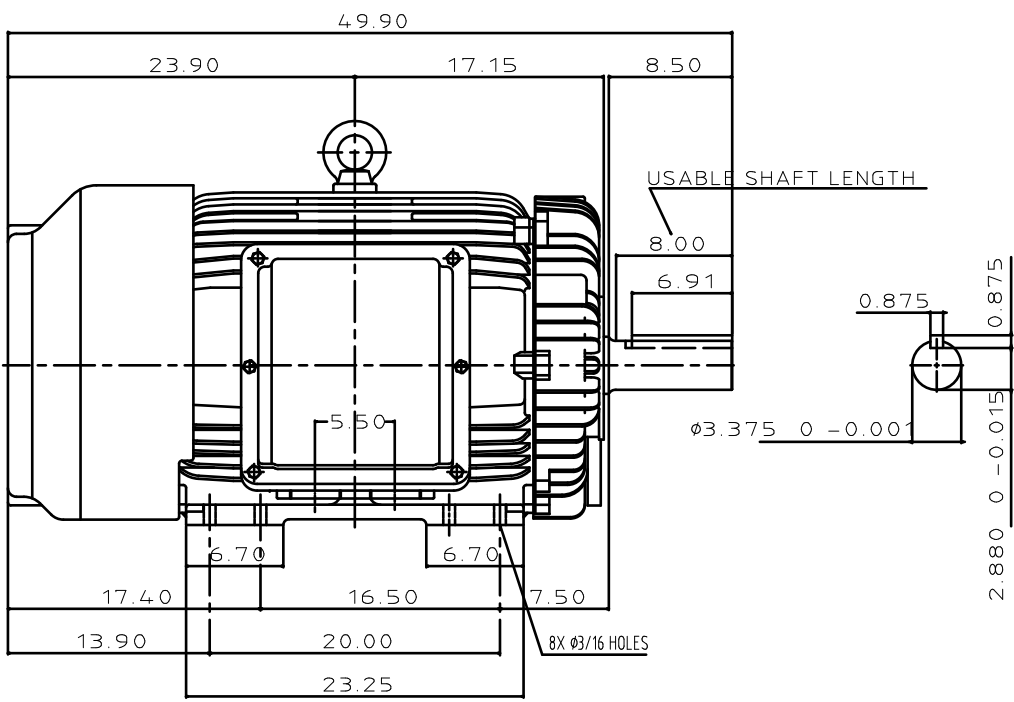


TYPE	OUTPUT		POLE	TIME RATING	VOLTAGE V	Hz	SYN.SPEED R.P.M
	HP.	KW.					
AEHH8N	125	93.3	8	CONT.	460	60	900

TOTALLY ENCLOSED FAN-COOLED TYPE. SQUIRREL-CAGE ROTOR



- NOTE:
1. DIMENSIONS IN INCH
 2. FRAME NO. 447T
 3. F CLASS INSULATION, S.F.1.15
 4. FOR DIRECT FLEXIBLE COUPLING
 5. ENCLOSURE: IP55
 6. BEARING SIZE: DRIVE END: NU320
NON-DRIVE END: 6316C3
 7. APPROX. WEIGHT: 2500 LBS

TW-56BC

DWN	T.H.Pan	FEB*18 2005
CHKD	H.HUANG	FEB*18 2005
APPD	C.WANG	FEB*18 2005

DATE	01-02-17	OUTLINE DIMENSIONS
CATALOG #	EP1258R	3-PHASE INDUCTION MOTOR
TECO	Westinghouse	DWG NO. 3A040Y700
		REV: 02